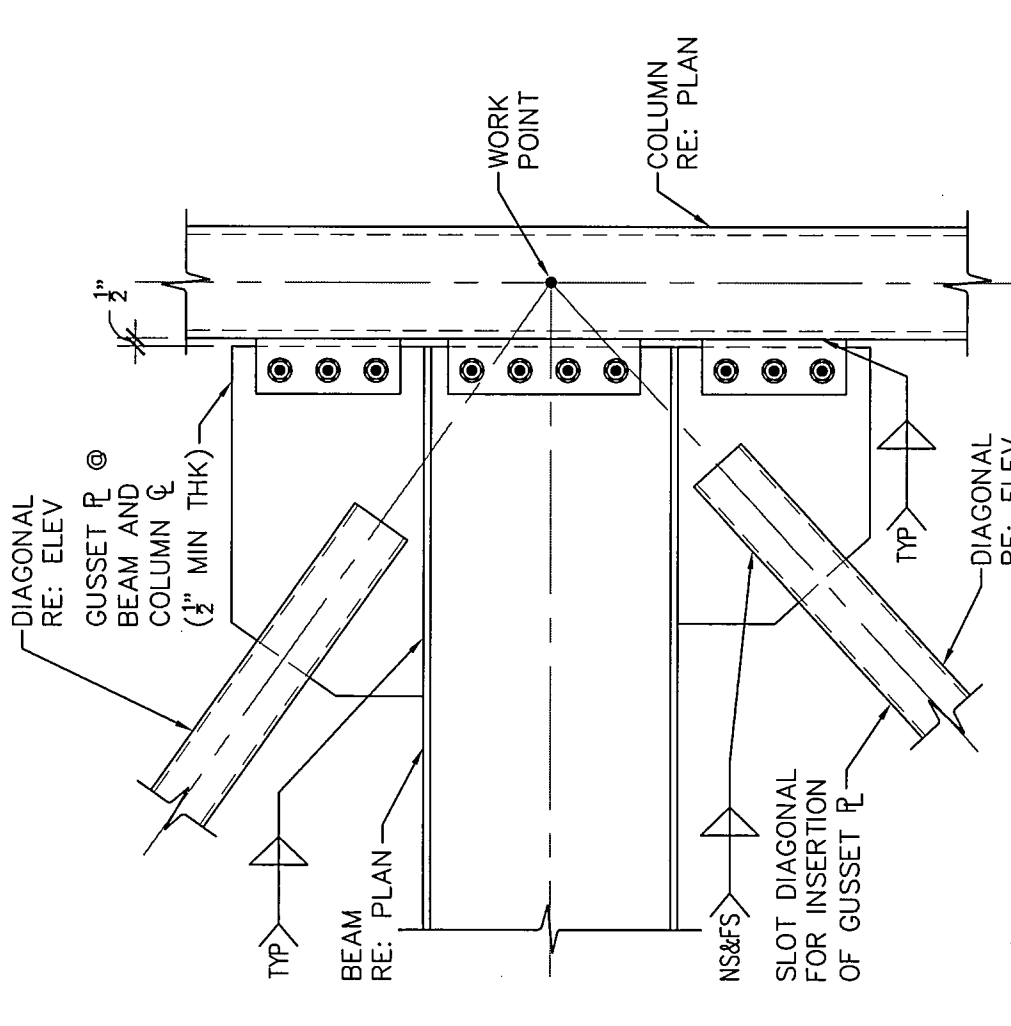


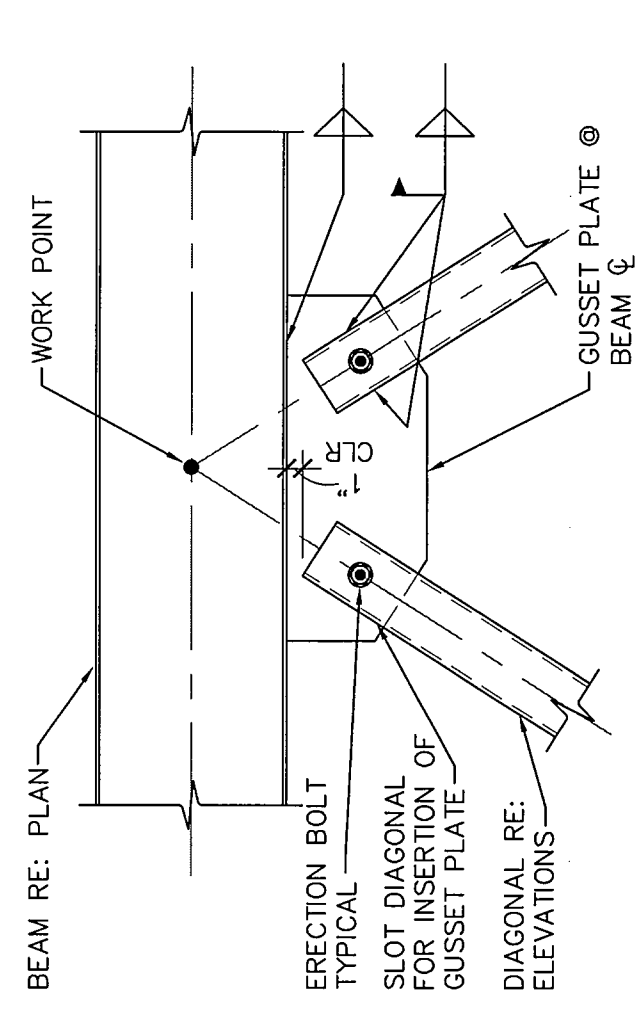
01 LATERAL BRACING DETAIL
SCALE: 1" = 1'-0"

DETAIL NOTES:
1. DETAIL SHOWN IS FOR GENERAL DESIGN INTENT ONLY. CONNECTION DESIGN TO BE ENGINEERED BY FABRICATOR. REFER TO STRUCTURAL STEEL NOTES.



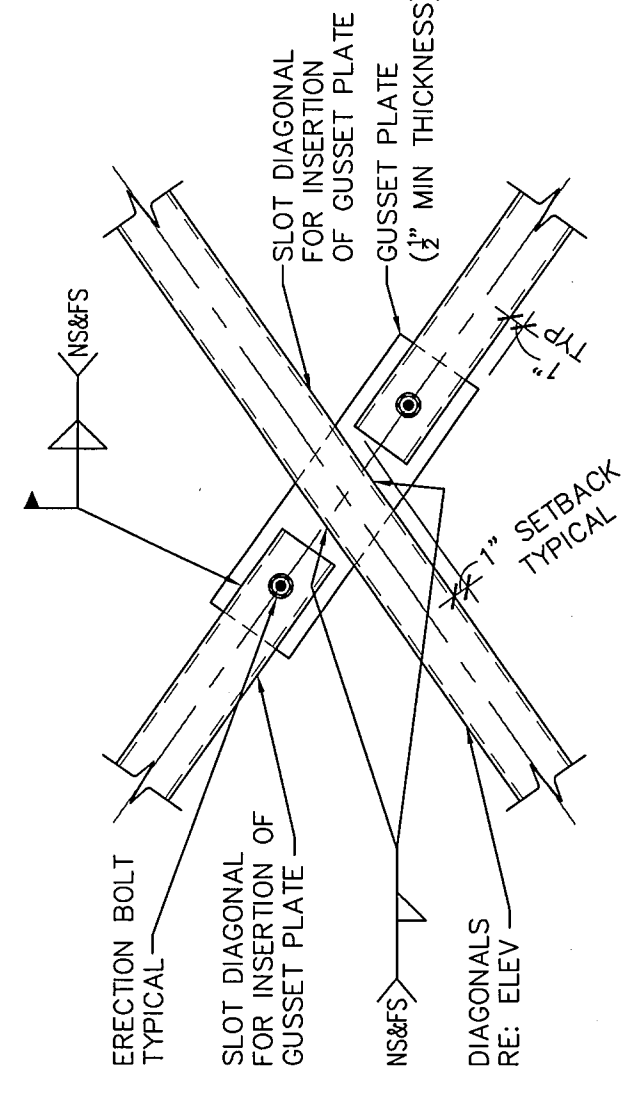
02 LATERAL BRACING DETAIL
SCALE: 1" = 1'-0"

DETAIL NOTES:
1. DETAIL SHOWN IS FOR GENERAL DESIGN INTENT ONLY. CONNECTION DESIGN TO BE ENGINEERED BY FABRICATOR. REFER TO STRUCTURAL STEEL NOTES.



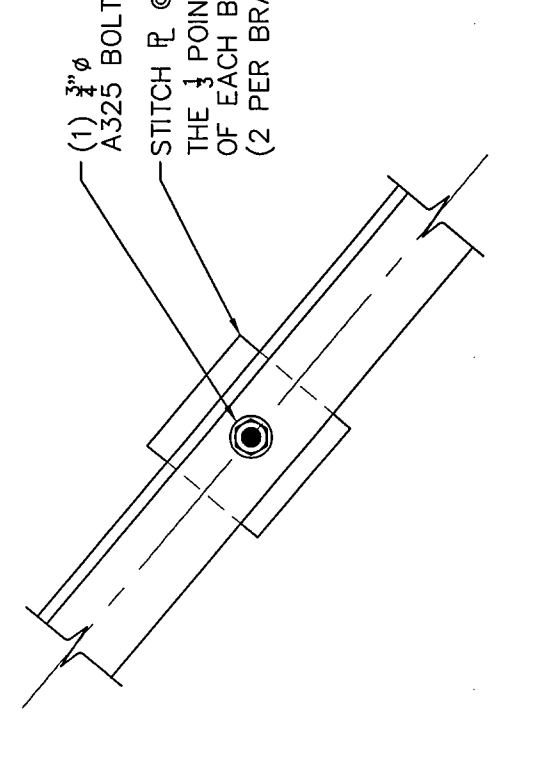
03 LATERAL BRACING DETAIL
SCALE: 1" = 1'-0"

DETAIL NOTES:
1. DETAIL SHOWN IS FOR GENERAL DESIGN INTENT ONLY. CONNECTION DESIGN TO BE ENGINEERED BY FABRICATOR. REFER TO STRUCTURAL STEEL NOTES.



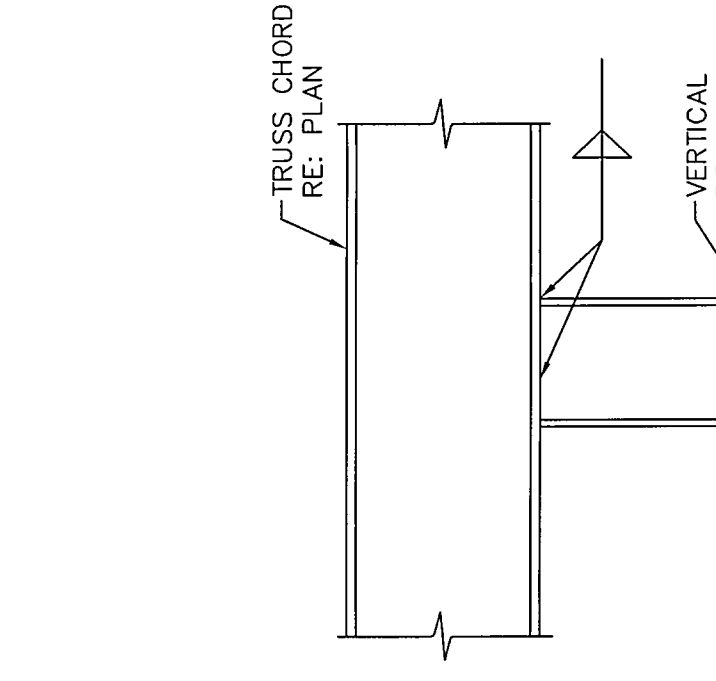
04 LATERAL BRACING DETAIL
SCALE: 1" = 1'-0"

DETAIL NOTES:
1. DETAIL SHOWN IS FOR GENERAL DESIGN INTENT ONLY. CONNECTION DESIGN TO BE ENGINEERED BY FABRICATOR. REFER TO STRUCTURAL STEEL NOTES.



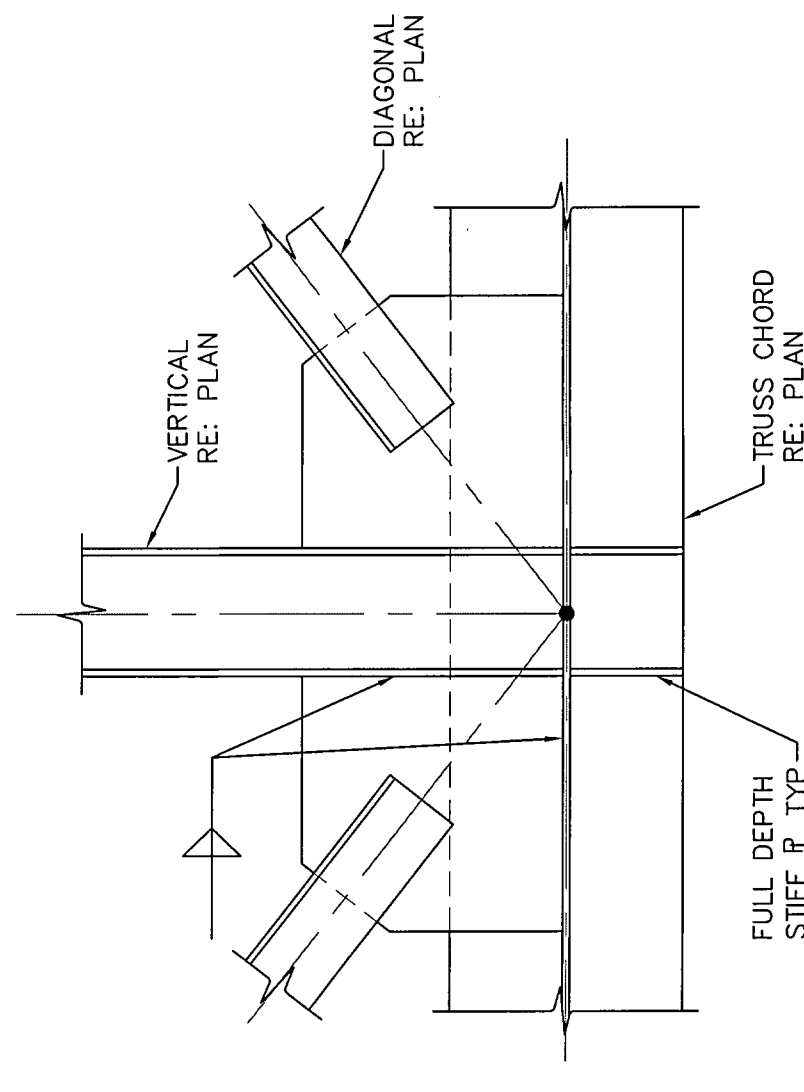
05 VERT BRACE STITCH PLATE
SCALE: 1/2" = 1'-0"

DETAIL NOTES:
1. DETAIL SHOWN IS FOR GENERAL DESIGN INTENT ONLY. CONNECTION DESIGN TO BE ENGINEERED BY FABRICATOR. REFER TO STRUCTURAL STEEL NOTES.



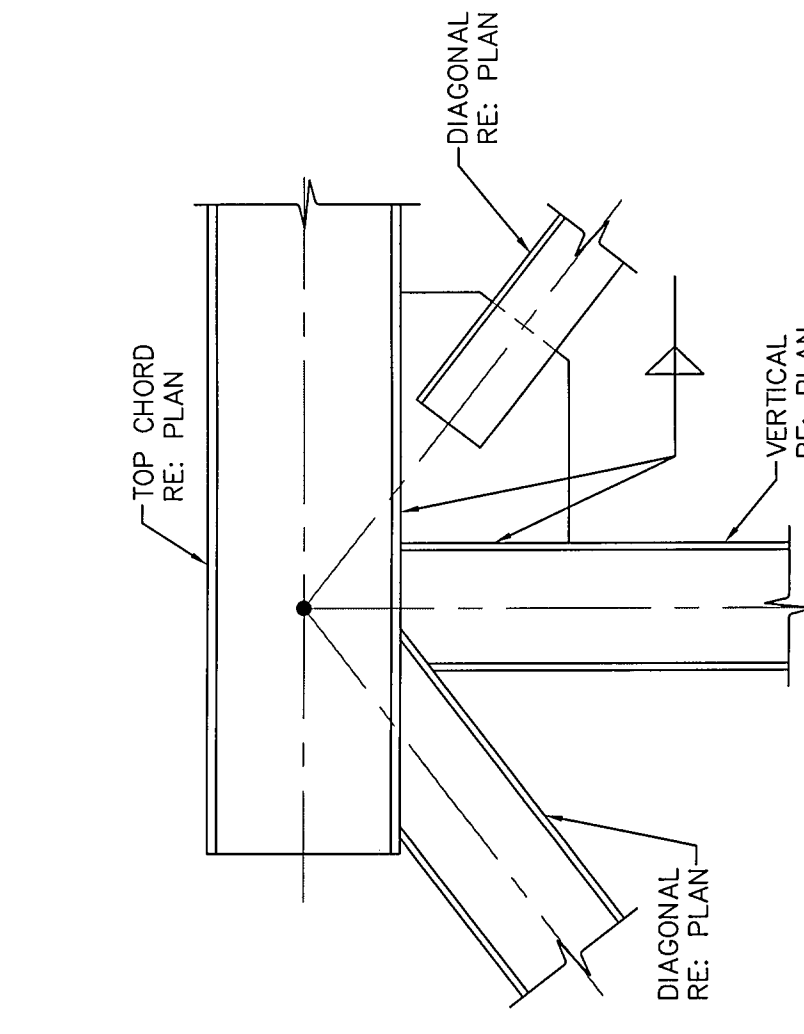
06 TRUSS CONNECTION
SCALE: 1" = 1'-0"

DETAIL NOTES:
1. DETAIL SHOWN IS FOR GENERAL DESIGN INTENT ONLY. CONNECTION DESIGN TO BE ENGINEERED BY FABRICATOR. REFER TO STRUCTURAL STEEL NOTES.



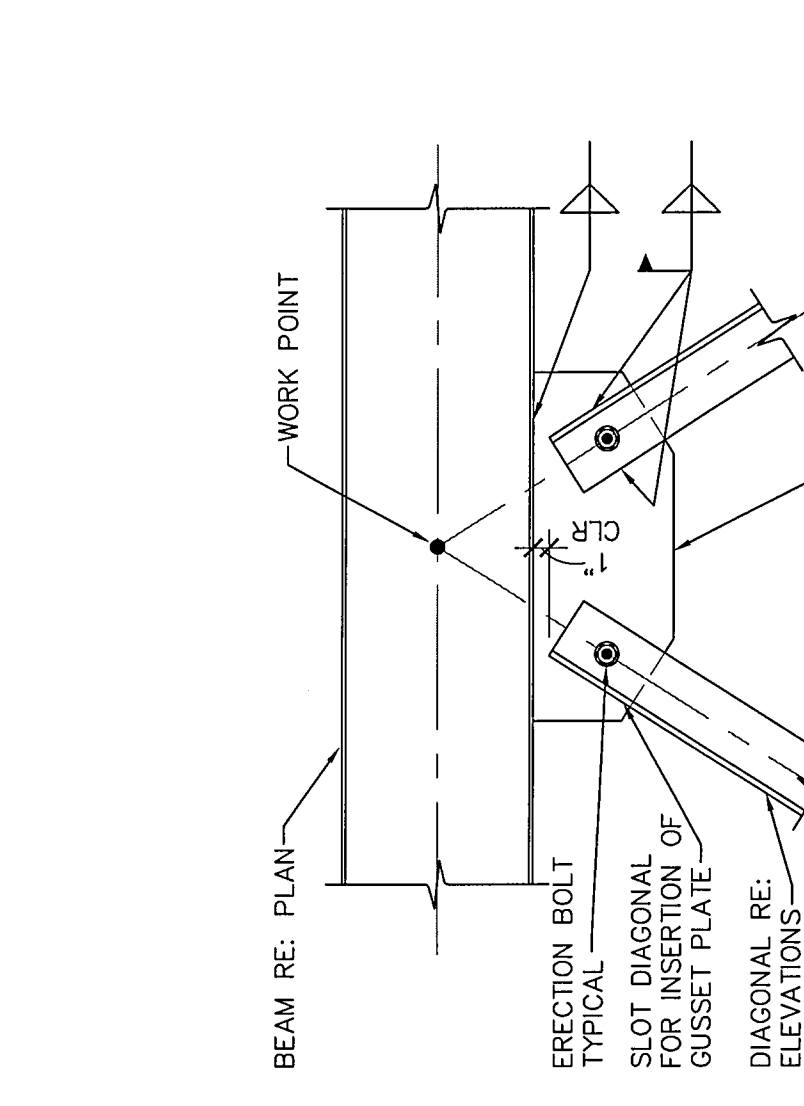
07 TRUSS CONNECTION
SCALE: 1" = 1'-0"

DETAIL NOTES:
1. DETAIL SHOWN IS FOR GENERAL DESIGN INTENT ONLY. CONNECTION DESIGN TO BE ENGINEERED BY FABRICATOR. REFER TO STRUCTURAL STEEL NOTES.



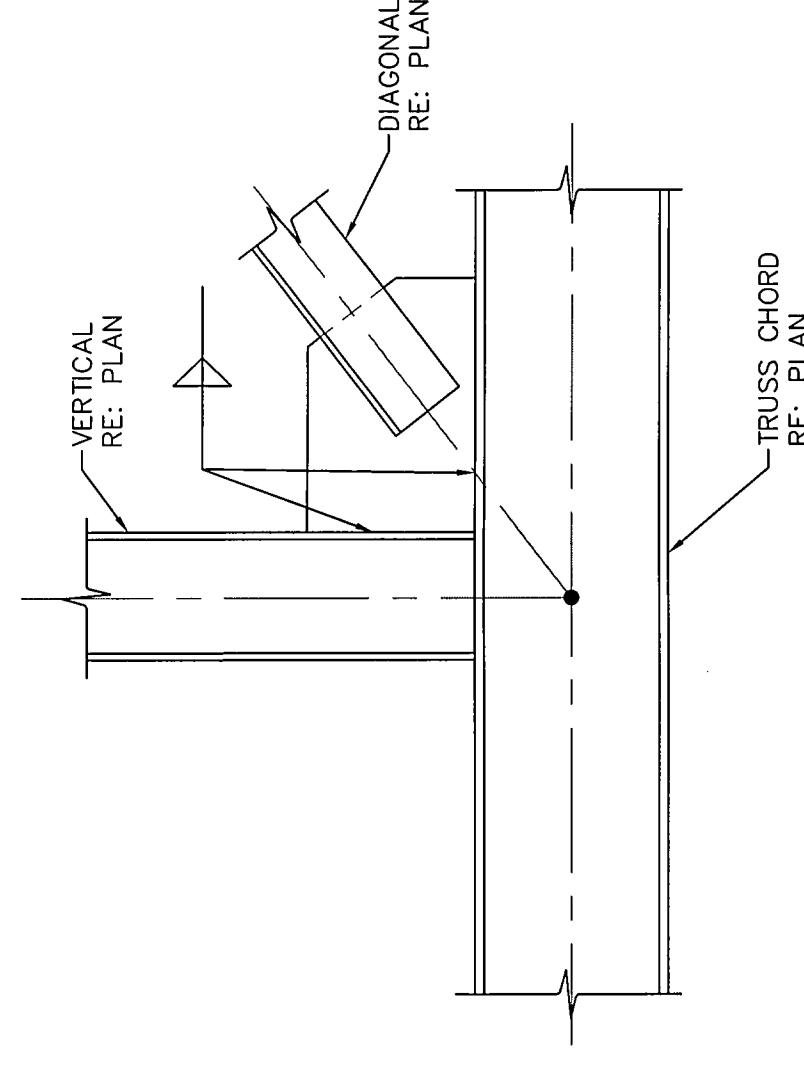
08 TRUSS CONNECTION
SCALE: 1" = 1'-0"

DETAIL NOTES:
1. DETAIL SHOWN IS FOR GENERAL DESIGN INTENT ONLY. CONNECTION DESIGN TO BE ENGINEERED BY FABRICATOR. REFER TO STRUCTURAL STEEL NOTES.



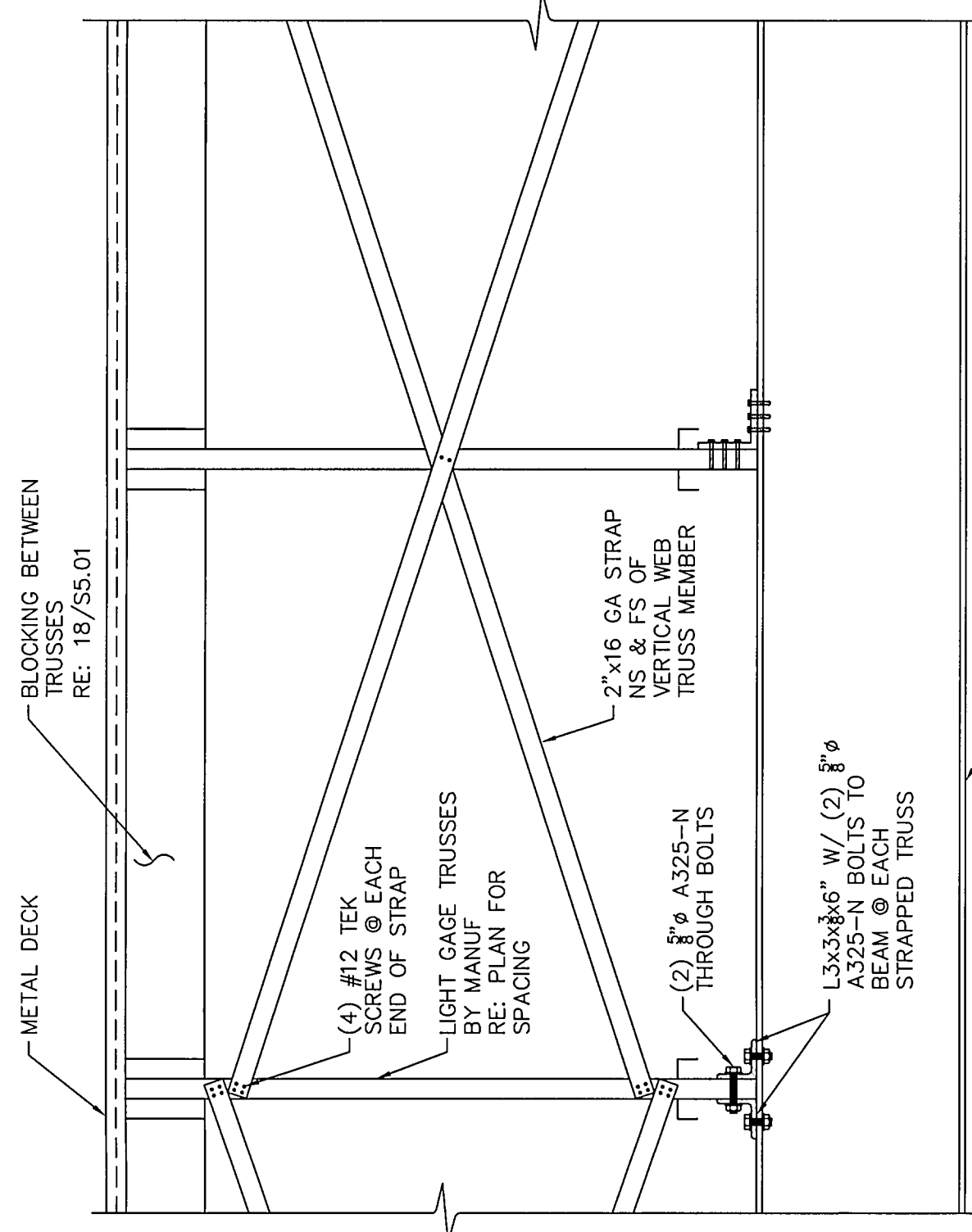
09 LATERAL BRACING DETAIL
SCALE: 1" = 1'-0"

DETAIL NOTES:
1. DETAIL SHOWN IS FOR GENERAL DESIGN INTENT ONLY. CONNECTION DESIGN TO BE ENGINEERED BY FABRICATOR. REFER TO STRUCTURAL STEEL NOTES.

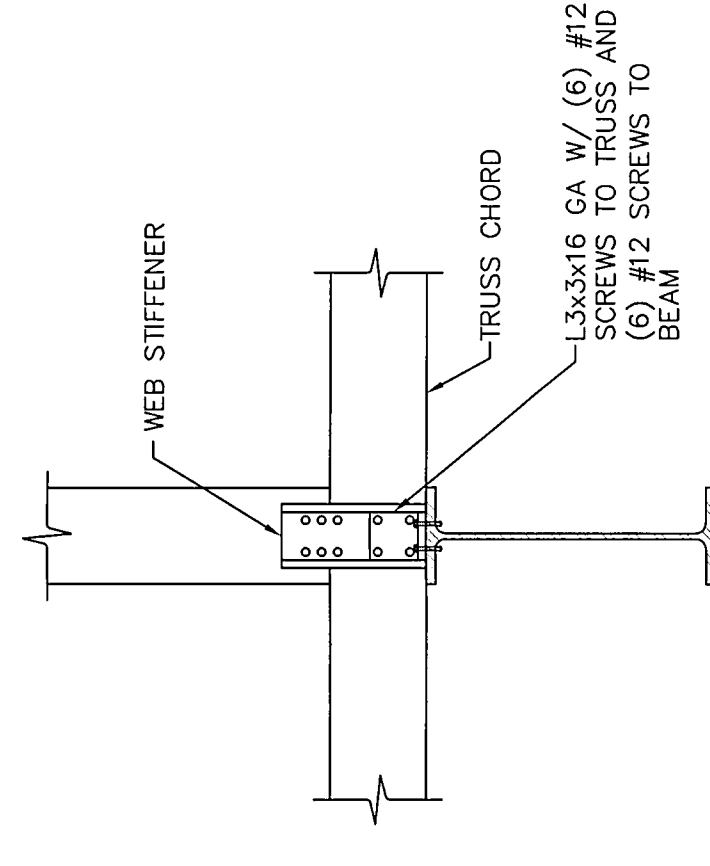


10 TRUSS CONNECTION
SCALE: 1" = 1'-0"

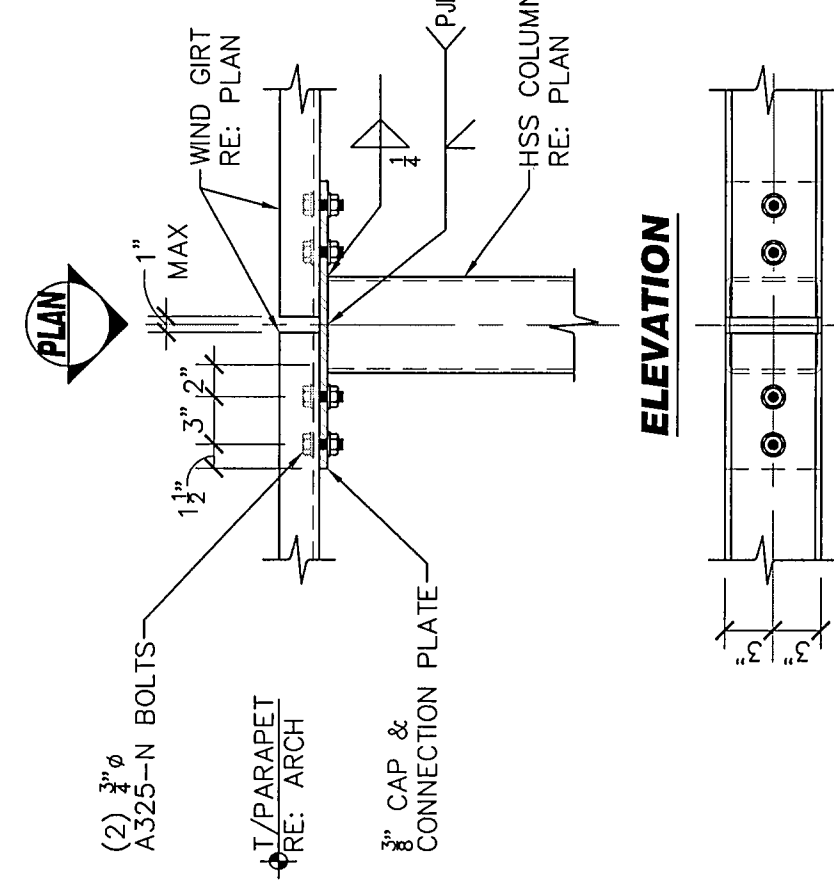
DETAIL NOTES:
1. DETAIL SHOWN IS FOR GENERAL DESIGN INTENT ONLY. CONNECTION DESIGN TO BE ENGINEERED BY FABRICATOR. REFER TO STRUCTURAL STEEL NOTES.



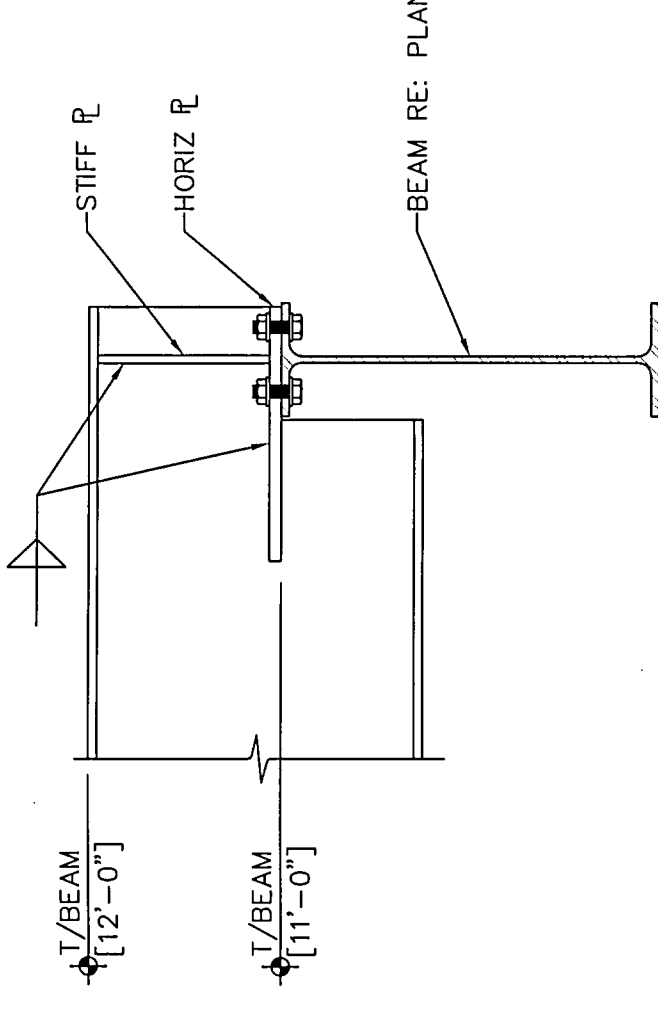
12 TYP LATERAL BRACING @ TRUSS
SCALE: 1" = 1'-0"



11 TRUSS CONNECTION
SCALE: 1" = 1'-0"

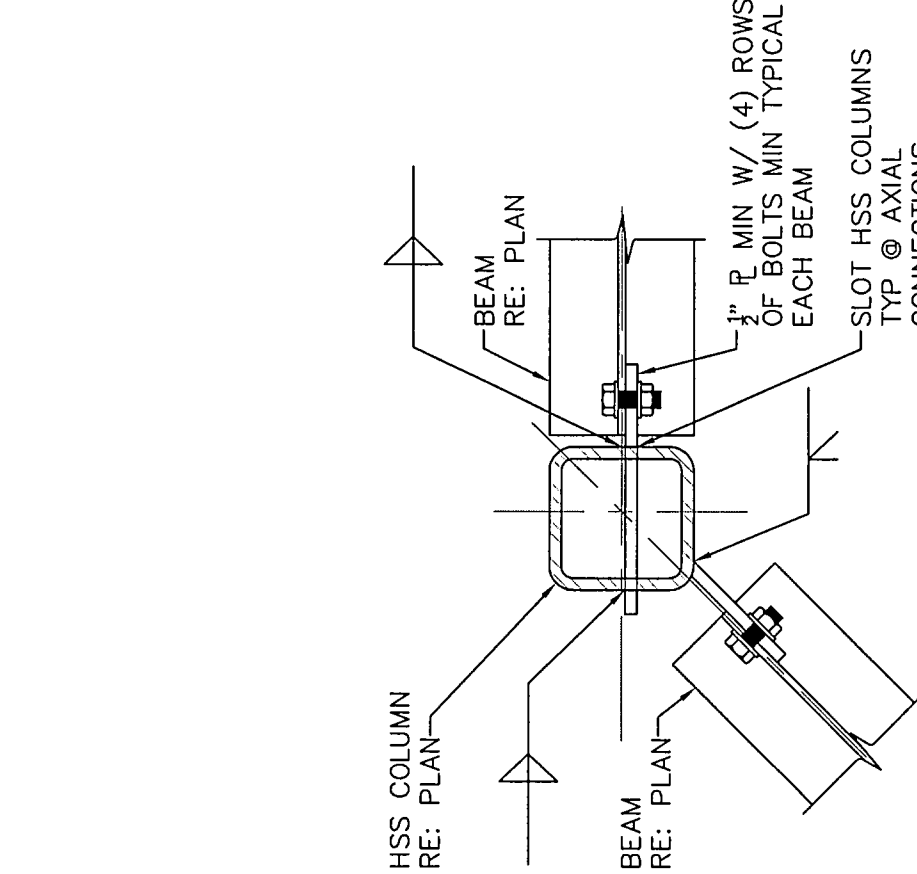


16 WIND GIRTS CONNECTION
SCALE: 1" = 1'-0"



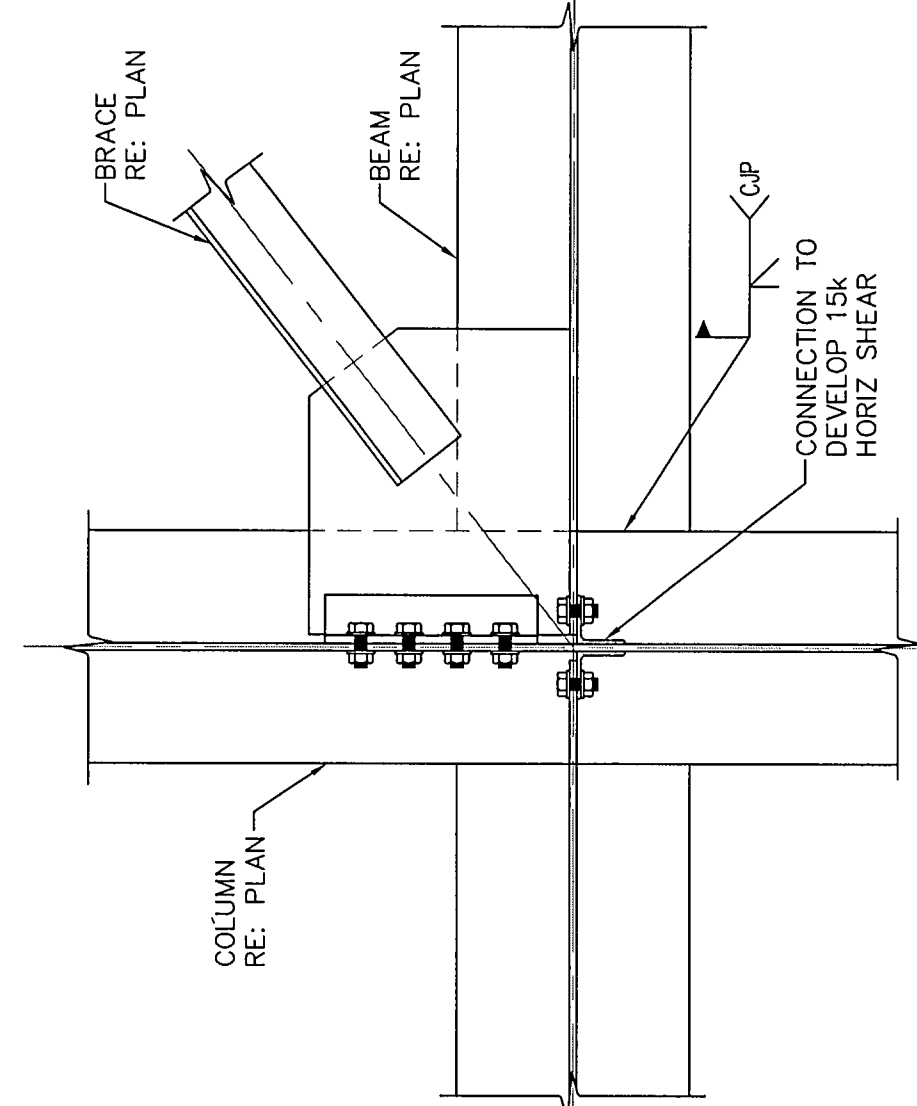
13 SEATED BEAM CONN
SCALE: 1" = 1'-0"

DETAIL NOTES:
1. DETAIL SHOWN IS FOR GENERAL DESIGN INTENT ONLY. FINAL CONNECTION DESIGN TO BE ENGINEERED BY FABRICATOR. REFER TO STRUCTURAL STEEL NOTES.



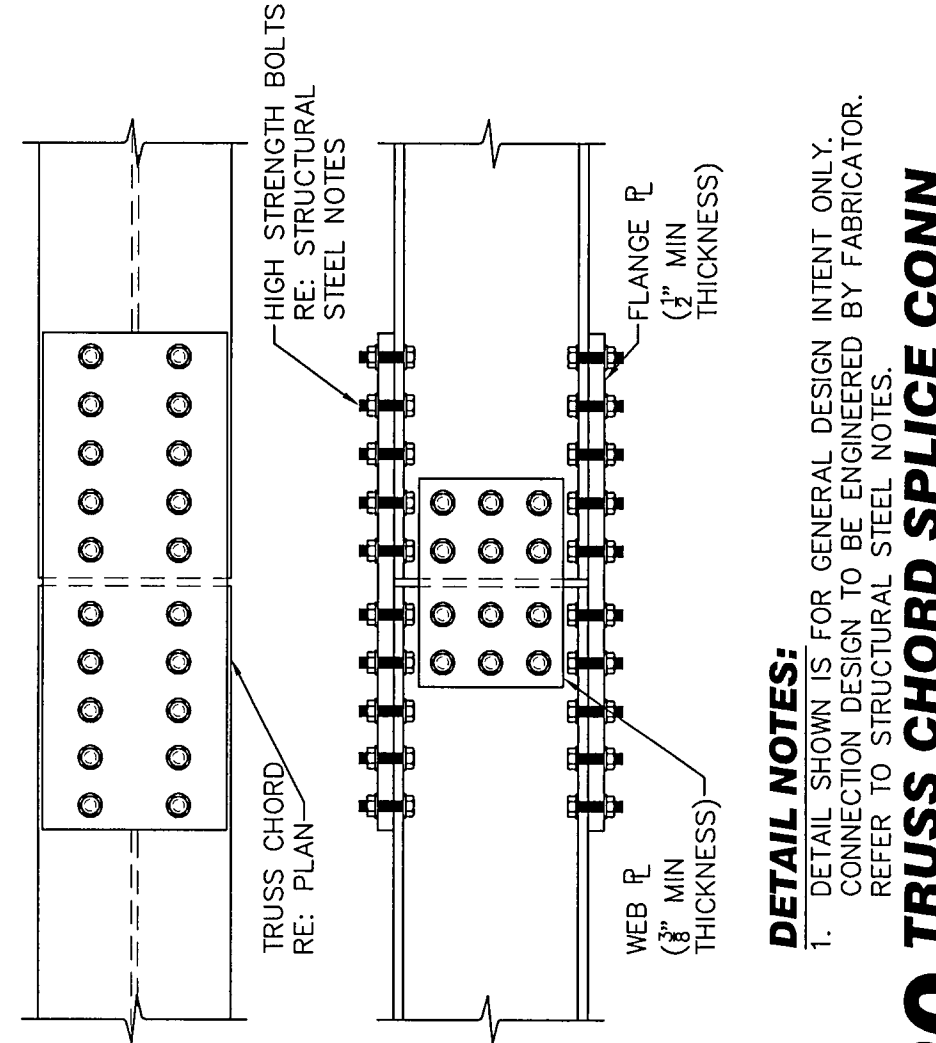
18 CONNECTION DETAIL
SCALE: 1" = 1'-0"

DETAIL NOTES:
1. DETAIL SHOWN IS FOR GENERAL DESIGN INTENT ONLY. CONNECTION DESIGN TO BE ENGINEERED BY FABRICATOR. REFER TO STRUCTURAL STEEL NOTES.



19 TRUSS CONNECTION
SCALE: 1" = 1'-0"

DETAIL NOTES:
1. DETAIL SHOWN IS FOR GENERAL DESIGN INTENT ONLY. CONNECTION DESIGN TO BE ENGINEERED BY FABRICATOR. REFER TO STRUCTURAL STEEL NOTES.



20 TRUSS CHORD SPLICE CONN
SCALE: 1" = 1'-0"

DETAIL NOTES:
1. DETAIL SHOWN IS FOR GENERAL DESIGN INTENT ONLY. CONNECTION DESIGN TO BE ENGINEERED BY FABRICATOR. REFER TO STRUCTURAL STEEL NOTES.

NEW WORSHIP FACILITIES & EDUCATION BUILDING

EAST SIDE CHURCH OF CHRIST
MLK @ HWY 183, AUSTIN, TEXAS

HALLUM ARCHITECTS, INC.
6040 CAMP BOWIE BLVD SUITE 17
FORT WORTH, TEXAS 76116
PHONE: 817.332.2422 FAX: 817.338.1949
email: info@hallumarch.com

FRAMING DETAILS

Date: 03/20/08
Scale: As Shown
Drawn: JSQ
Job: 2006-05
Sheet Number: S5.02

